

**solo**

**Irwin Seating Company**

**solo**

# introducing...

## solo

Solo features an intelligent, clean design and the durability you've come to expect from Irwin Seating Company. Solo is a highly customizable, attractive system for lecture halls and training facilities. Worksurfaces are available with modular or continuous tops and Solo is available with or without swing-arm seating.

### New Modular Worksurface:

Modular worksurfaces create a defined workspace and are more adaptable to site conditions. The modularity allows for easier installation and maintenance.

### New Polymer Chair Shell:

A virtually indestructible shell available non-upholstered or with two upholstery options.

### New Edge Options:

Modular worksurfaces are available with new edge options; a rounded, soft urethane edge show here, a tapered single edge and an economical T-mold edge.

### New Concealed Power/Data Unit:

Solo is available with four power/data units including an unobtrusive under-table device.

### New Modesty Panel Options:

Solo includes options for segmented, extruded aluminum modesty panels available with or without the perforations shown here. Of course, laminate and veneer surfaced partitions are still an option, as are continuous modesty panels.

### 360° Chair Shell Rotation:

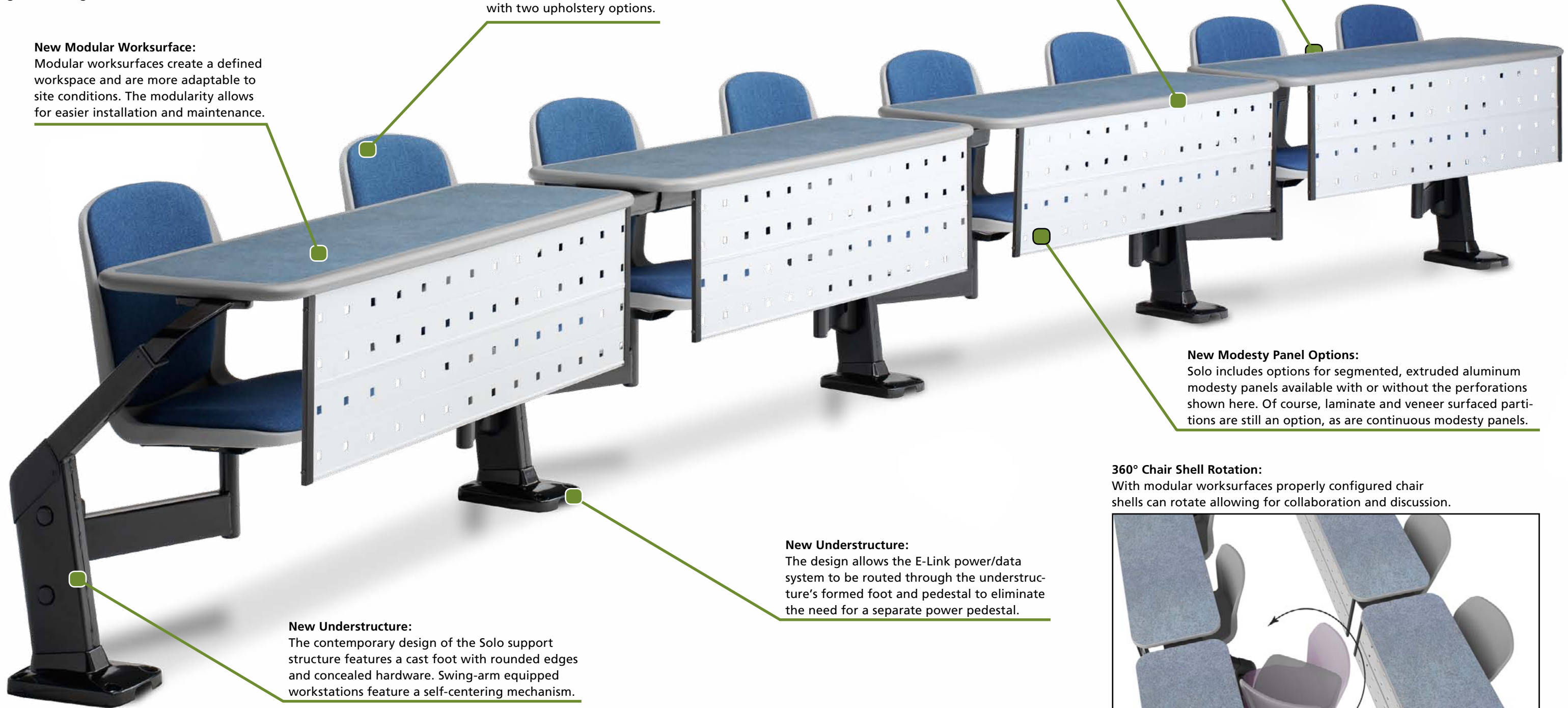
With modular worksurfaces properly configured chair shells can rotate allowing for collaboration and discussion.

### New Understructure:

The design allows the E-Link power/data system to be routed through the understructure's formed foot and pedestal to eliminate the need for a separate power pedestal.

### New Understructure:

The contemporary design of the Solo support structure features a cast foot with rounded edges and concealed hardware. Swing-arm equipped workstations feature a self-centering mechanism.





# solo

## with Modular Worksurfaces

Our modular Solo worksurfaces bring value and flexibility to the lecture hall environment. Installation of Solo modular stations are more adaptable to site conditions. We've designed them with lateral movement so they can be adjusted side-to-side to fill in rows and space the stations out evenly.

Solo is available with swing-arm chairs or as stand alone worksurfaces to be used with owner specified seating.



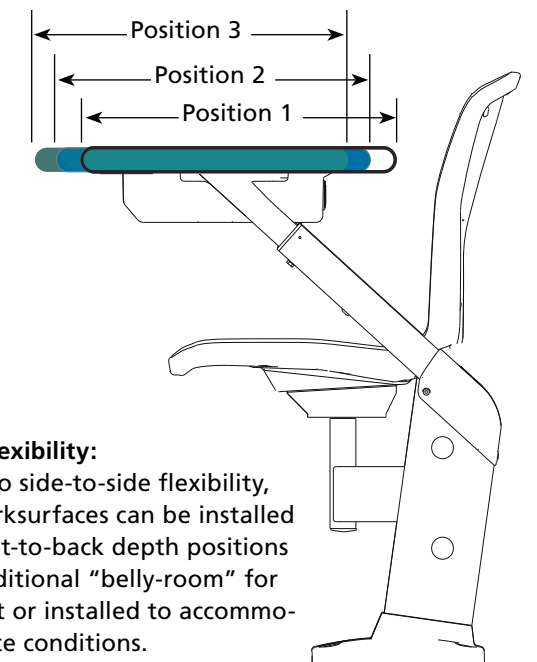
**model: 68.23.0.565.2**

- No. 68 Solo swing-arm platform
- No. 23 modular, single-edge worksurface
- No. 0 indicates Solo without modesty panels
- No. 565 shell with padded, upholstered seat
- No. 2 Axil E-Link power / data unit



**model: 910.22.24.0.4**

- No. 910 table pedestals
- No. 22 modular urethane edge worksurface
- No. 24 extruded aluminum segmented modesty panels
- No. 0 indicates no swing-arm seating
- No. 4 HPU under table power / data unit



**Maximum Flexibility:**  
In addition to side-to-side flexibility, modular worksurfaces can be installed in three front-to-back depth positions to create additional "belly-room" for the occupant or installed to accommodate tight site conditions.

# solo

## with Continuous Worksurfaces

Traditional, continuous worksurfaces and modesty panels are available with the Solo understructure. Continuous units are available with swing-arm seating or as stand alone worksurfaces to be used with loose seating. Worksurfaces and modesty panels are joined on site for a smooth surface and a tight, professional fit.

Like the modular stations, continuous worksurfaces are available for installation on a radius. Solo can be floor mounted to riser treads, level or inclined floors. Talk with your Irwin Seating Company representative to insure a proper fit of Solo tables and chairs.



- model: 910.11.11.0.1**
- No. 910 table pedestals
  - No. 11 continuous worksurface with t-mold edge
  - No. 11 continuous laminate surfaced modesty panel with t-mold edge
  - No. 0 indicates no swing-arm seating
  - No. 1 Ellora recessed power / data unit



- model: 68.11.11.515.0**
- No. 68 Solo swing-arm platform
  - No. 11 continuous worksurface with t-mold edge
  - No. 11 continuous laminate surfaced modesty panel with t-mold edge
  - No. 515 non-upholstered shell
  - 0 indicates no E-Link system

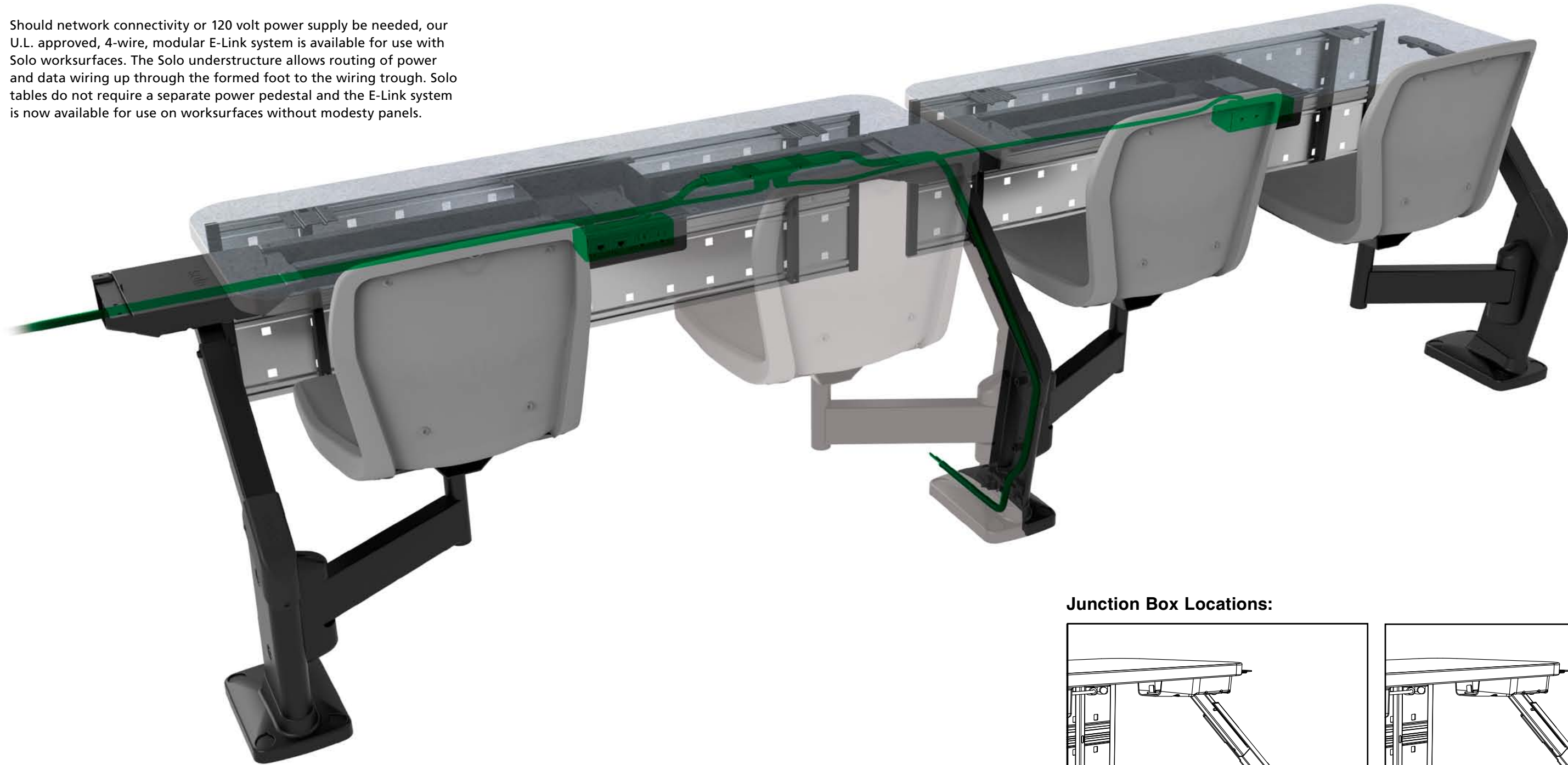


- model: 68.11.24.525.4**
- No. 68 Solo swing-arm platform
  - No. 11 continuous worksurface with t-mold edge
  - No. 24 segmented extruded aluminum modesty panels
  - No. 525 padded & upholstered shell
  - No. 4 HPU under table power / data unit



# E-Link

Should network connectivity or 120 volt power supply be needed, our U.L. approved, 4-wire, modular E-Link system is available for use with Solo worksurfaces. The Solo understructure allows routing of power and data wiring up through the formed foot to the wiring trough. Solo tables do not require a separate power pedestal and the E-Link system is now available for use on worksurfaces without modesty panels.



## Power / Data Distribution Devices:



HPU (Under Table)



Ellora

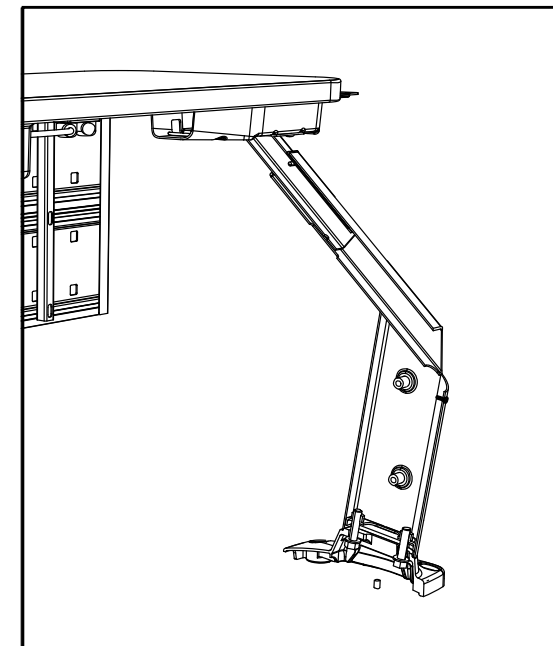


Axil

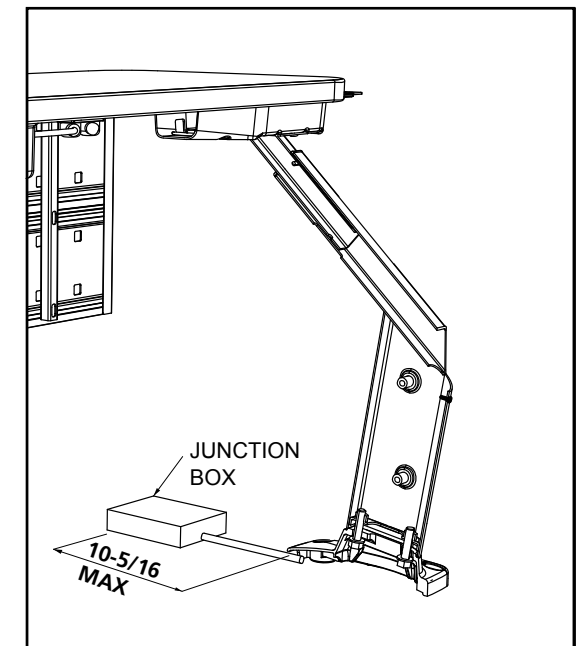


Sphere

## Junction Box Locations:



Primary Location for Junction Box  
(second foot in the row)

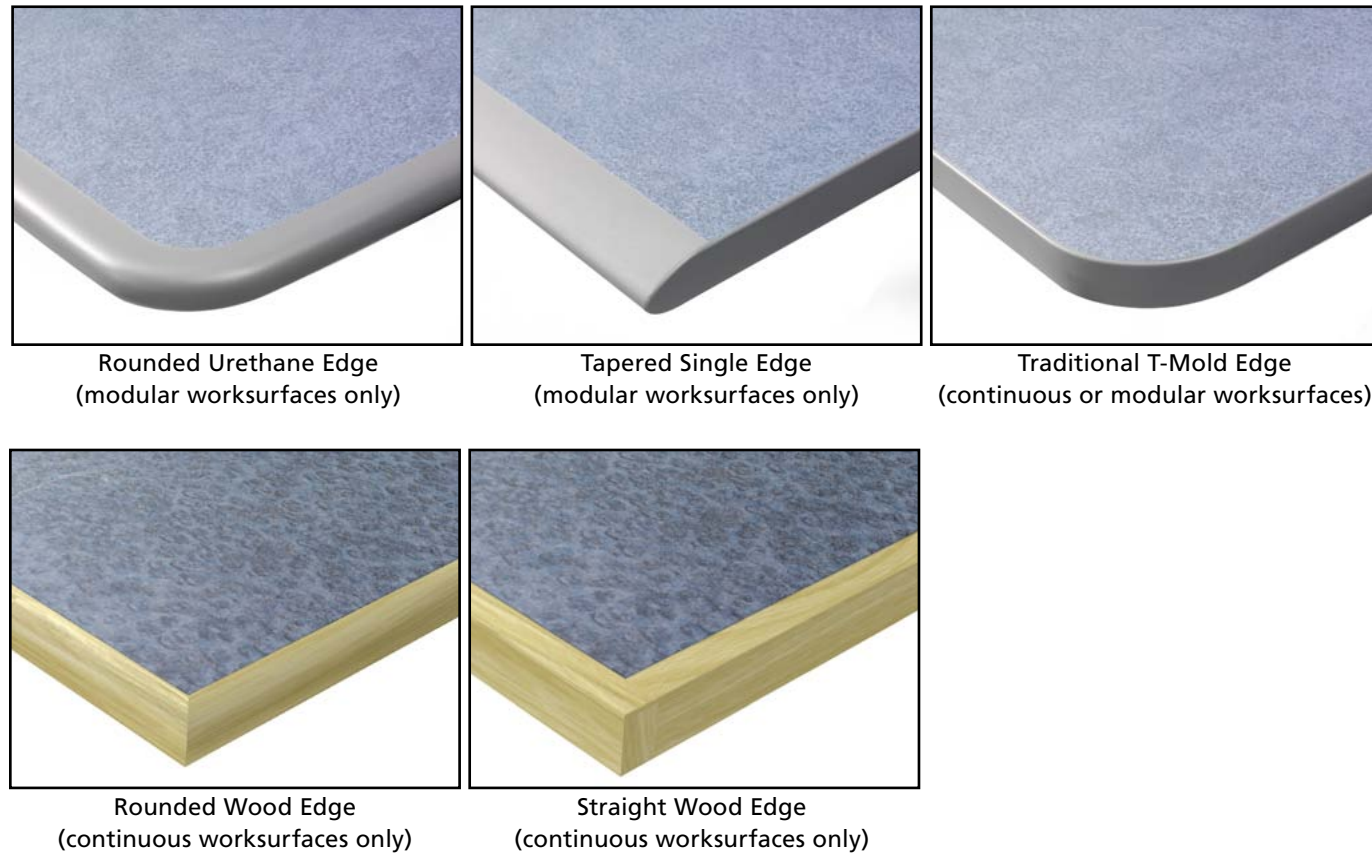


Secondary Location for Junction Box  
(second foot in the row)

# options

Solo is designed to excel in heavy-use facilities but it still needs to be inviting so we've paid close attention to the details to help create an attractive, comfortable and functional workspace for users. Durable, ergonomically correct chair shells help keep individuals focused on the task at hand. The new urethane edges for our modular tables offer a softer interaction with the tables while providing the durability needed for lecture halls.

## Table Edges:



## Chair Shells:

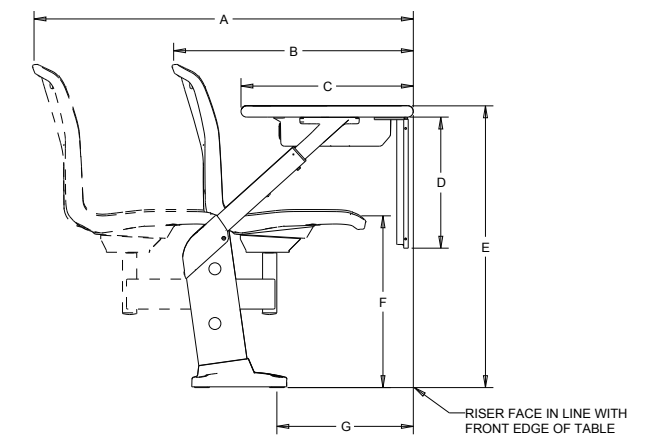


## Modesty Panels:



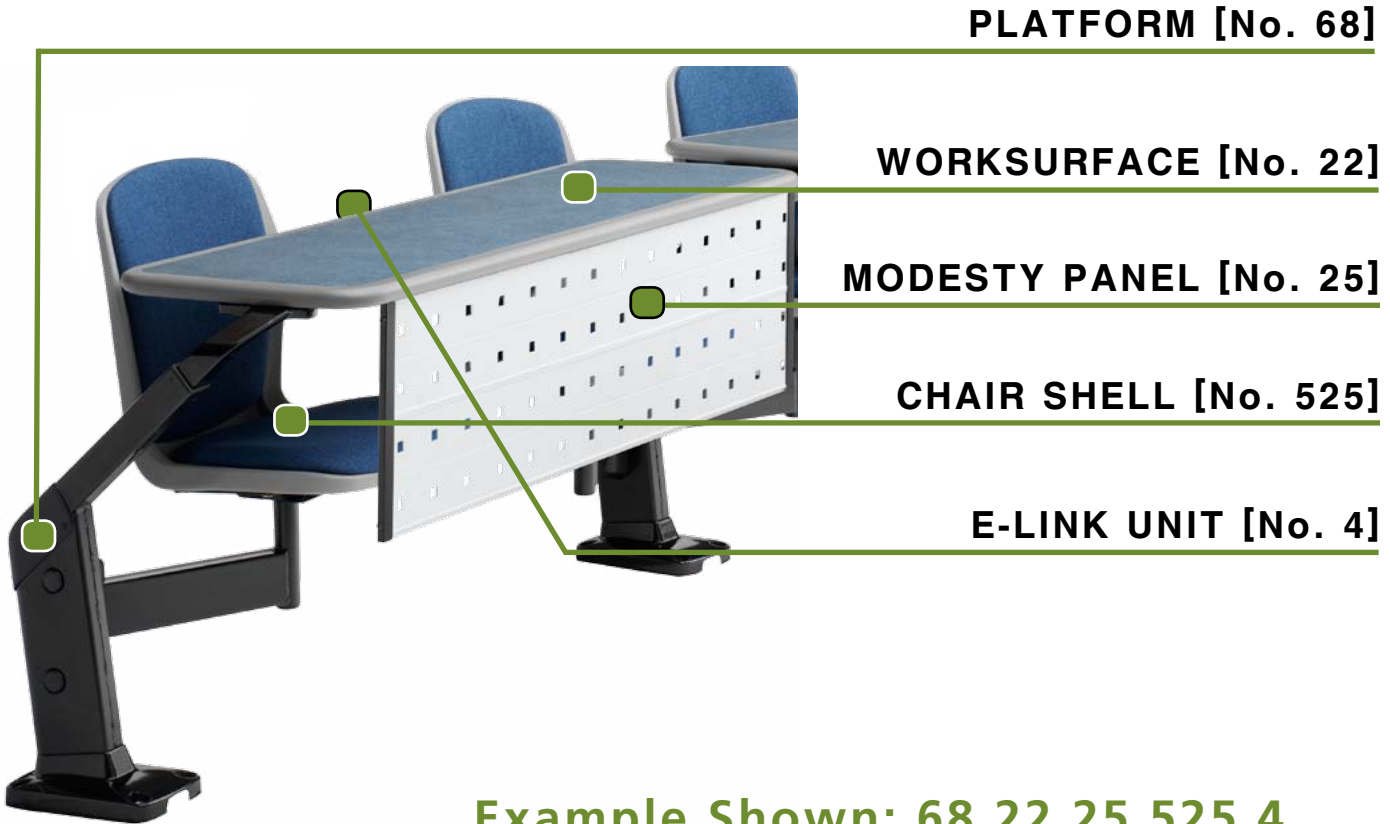
## Dimensional Data:

Dimension information for modular stations is shown in the chart below. Continuous worksurfaces are available in depths of 18" - 24".



	18" Urethane	18" Single Edge	20" Single Edge	22" Single Edge	18" T-Mold	20" T-Mold	22" T-Mold
A	38, 40, 42	38, 40, 42	40, 42, 44	42, 44, 46	38, 40, 42	40, 42, 44	42, 44, 46
B	23, 25, 27	23, 25, 27	25, 27, 29	27, 29, 31	23, 25, 27	25, 27, 29	27, 29, 31
C	18	18	20	22	18	20	22
D	13-3/4	13-3/4	13-3/4	13-3/4	13-3/4	13-3/4	13-3/4
E	29-1/2	29-1/2	29-1/2	29-1/2	29-1/2	29-1/2	29-1/2
F	18	18	18	18	18	18	18
G	12-3/8, 14-3/8, 16-3/8	12-3/8, 14-3/8, 16-3/8	14-3/8, 16-3/8, 18-3/8	16-3/8, 18-3/8, 20-3/8	12-3/8, 14-3/8, 16-3/8	14-3/8, 16-3/8, 18-3/8	16-3/8, 18-3/8, 20-3/8

# Solo Model Numbering:

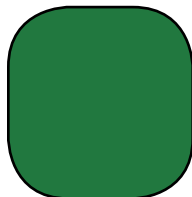


## Example Shown: 68.22.25.525.4

PLATFORM	WORKSURFACE	MODESTY PANEL	CHAIR SHELL	E-LINK UNIT
68 SWING-ARM	11 CONTINUOUS T-MOLD EDGE	0 NO PANEL	0 NO CHAIR (TABLE ONLY)	0 NONE
910 TABLES	12 CONTINUOUS WOOD EDGE	11 CONTINUOUS LAMINATE T-MOLD EDGE	515 POLYMER	1 ELLORA
	21 MODULAR T-MOLD EDGE	12 CONTINUOUS LAMINATE WOOD EDGE	525 UPHOLSTERED BACK & SEAT	2 AXIL
	22 MODULAR URETHANE EDGE	13 CONTINUOUS VENEER WOOD EDGE	565 UPHOLSTERED SEAT	3 SPEHERE
	23 MODULAR SINGLE EDGE	21 SEGMENTED LAMINATE T-MOLD EDGE		4 HPU
		22 SEGMENTED LAMINATE WOOD EDGE		
		23 SEGMENTED VENEER WOOD EDGE		
		24 SEGMENTED ALUMINUM		
		25 SEGMENTED PERFORATED ALUMINUM		

Note: dimensions, specifications, chair models and color selections may change without notice – for the most up to date information contact your Irwin Seating Company sales manager or go to [www.irwinseating.com](http://www.irwinseating.com).

**Irwin Seating Company**  
 3251 Fruit Ridge Ave. NW  
 Grand Rapids, MI 49544  
 Phone: 866-464-7946  
 Fax: 616-574-7411  
 E-mail: [sales@irwinseating.com](mailto:sales@irwinseating.com)  
[www.irwinseating.com](http://www.irwinseating.com)



*Irwin Seating Company is proud to print this brochure on Forest Stewardship Council certified paper. FSC certification ensures that the paper used here contains fiber from well-managed and responsibly harvested forests that meet strict environmental and socioeconomic standards.*